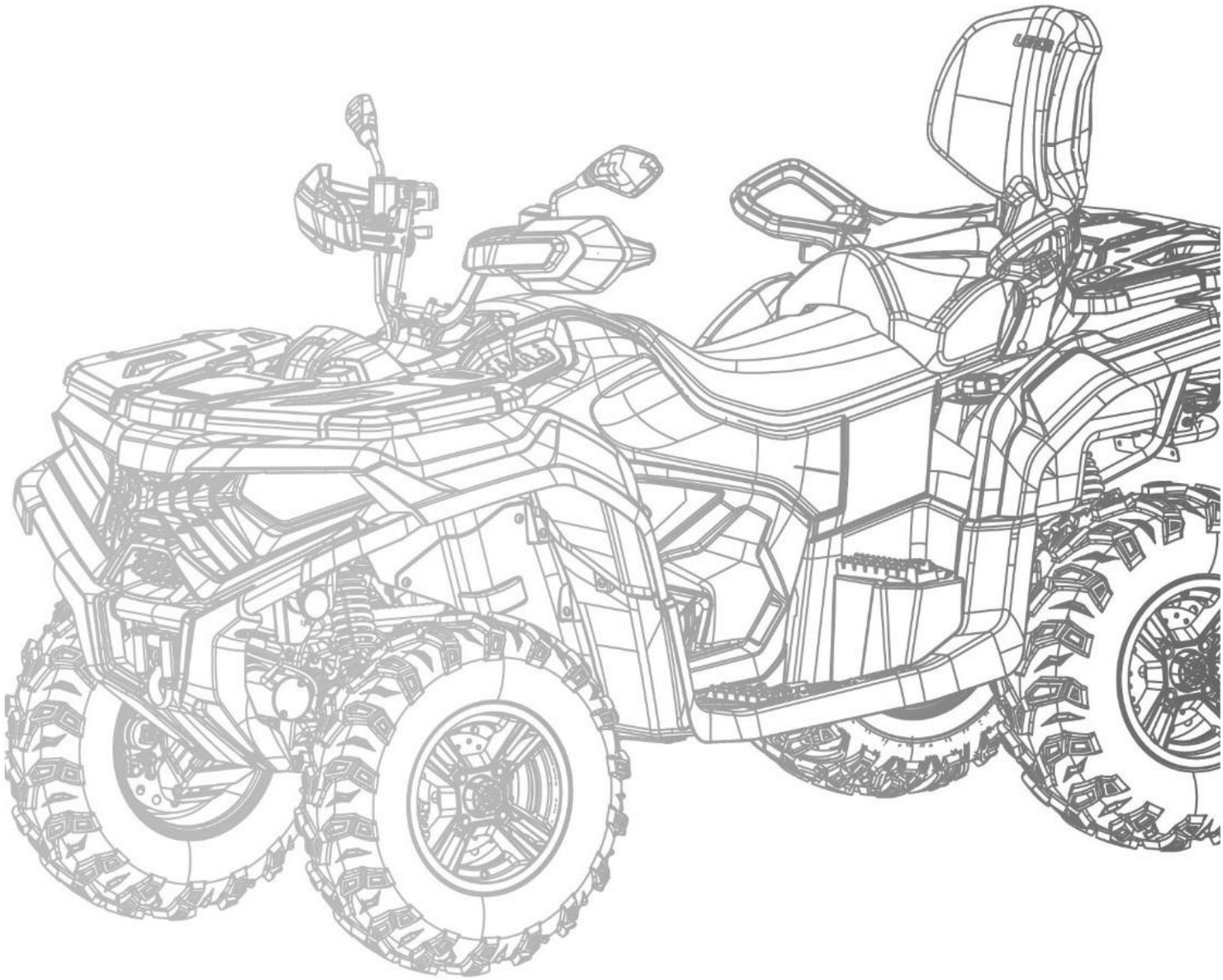


REASSEMBLY INSTRUCTIONS

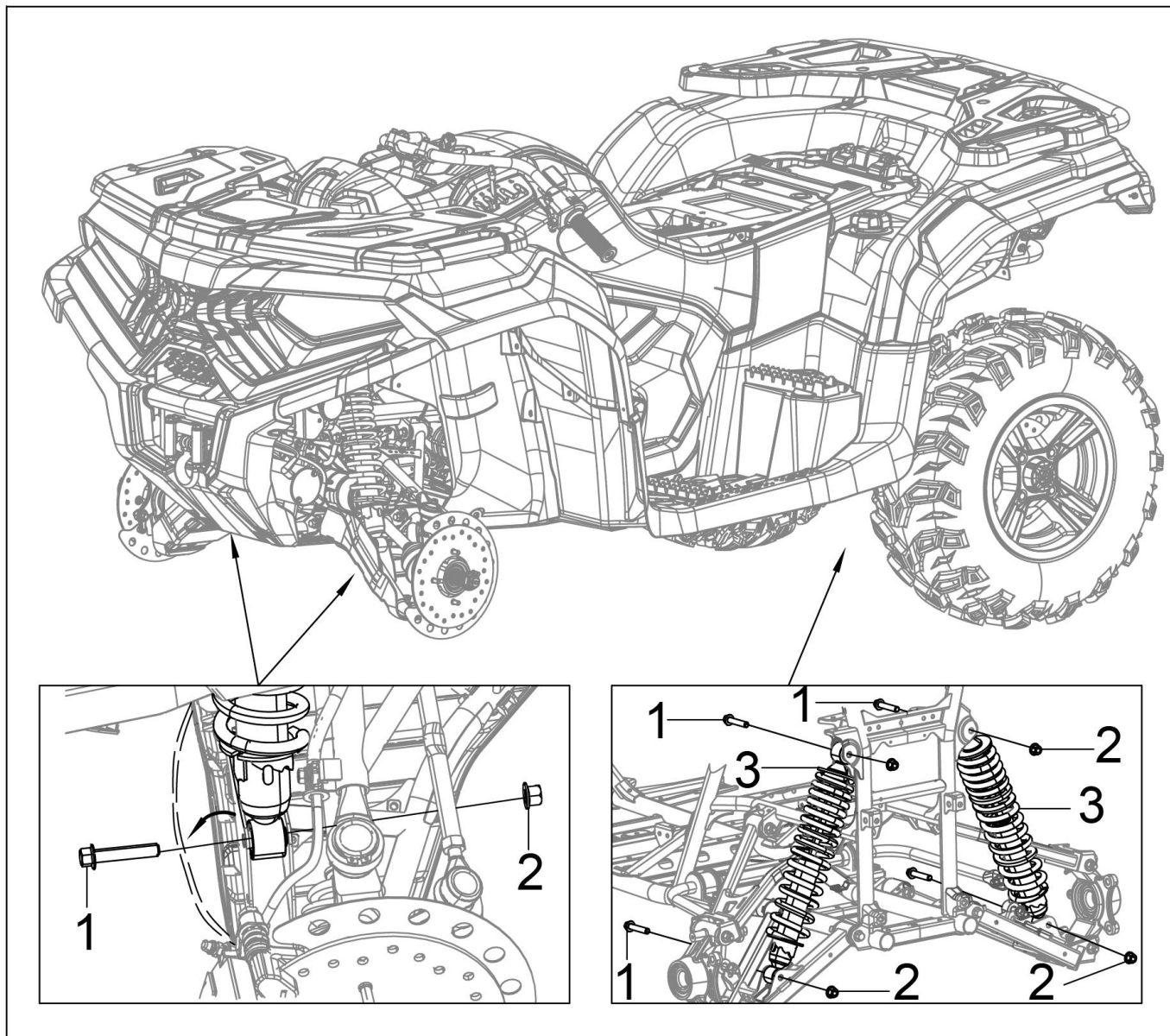


XWOLF 700 **XWOLF 700L**

TABLE OF CONTENTS

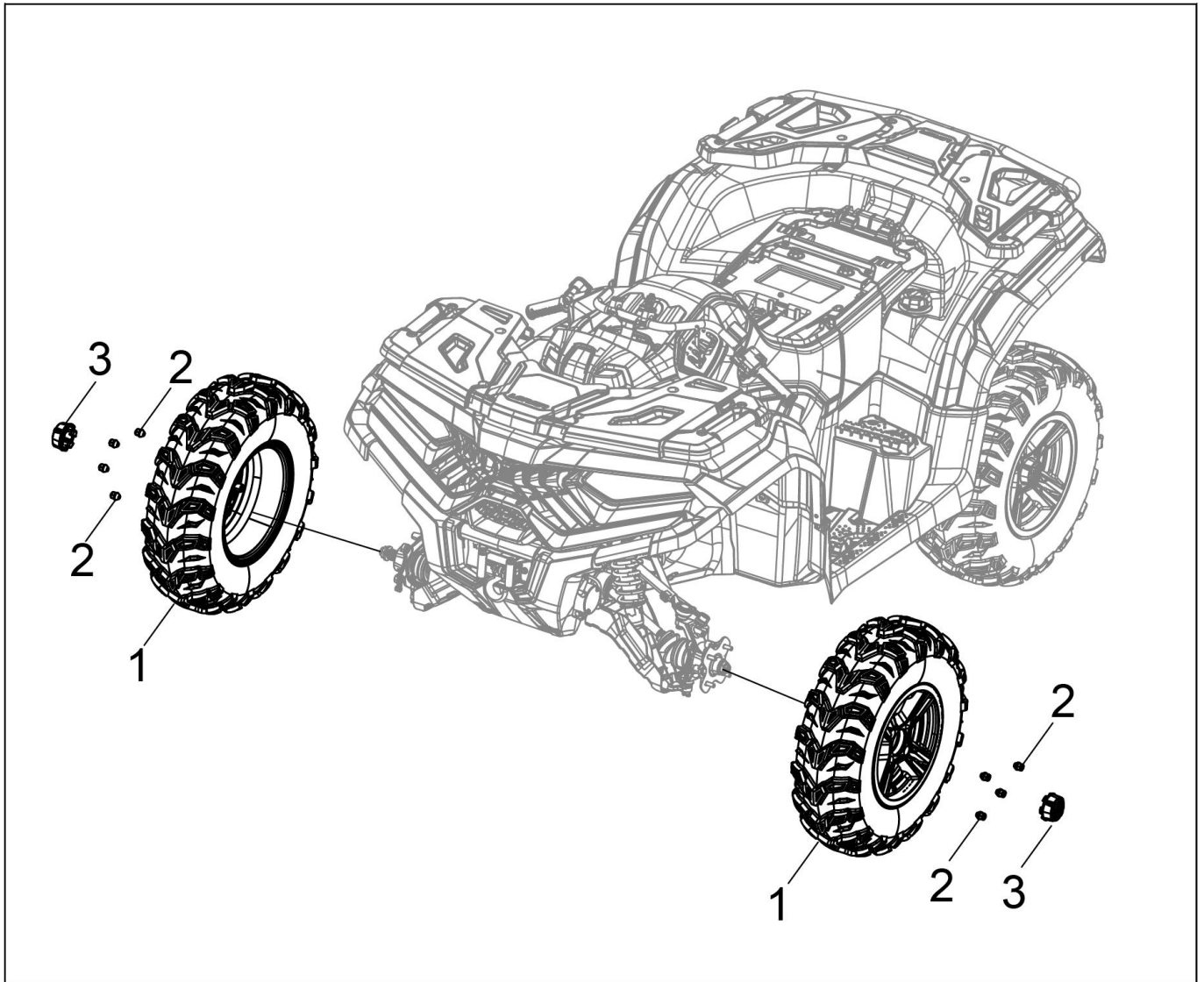
- 1. SUSPENSION REASSEMBLY 1
- 2. TIRE REASSEMBLY 2
- 3. DIRECTIONAL COLUMN, REARVIEW MIRROR REASSEMBLY 3
- 4. SHIELD REASSEMBLY (1) 4
- 5. SHIELD REASSEMBLY (2) 5
- 6. SEAT REASSEMBLY 1 (XWolf 700L) 6
- 7. SEAT REASSEMBLY 2 7
- 8. TRAILER BALL REASSEMBLY 8

1. SUSPENSION REASSEMBLY



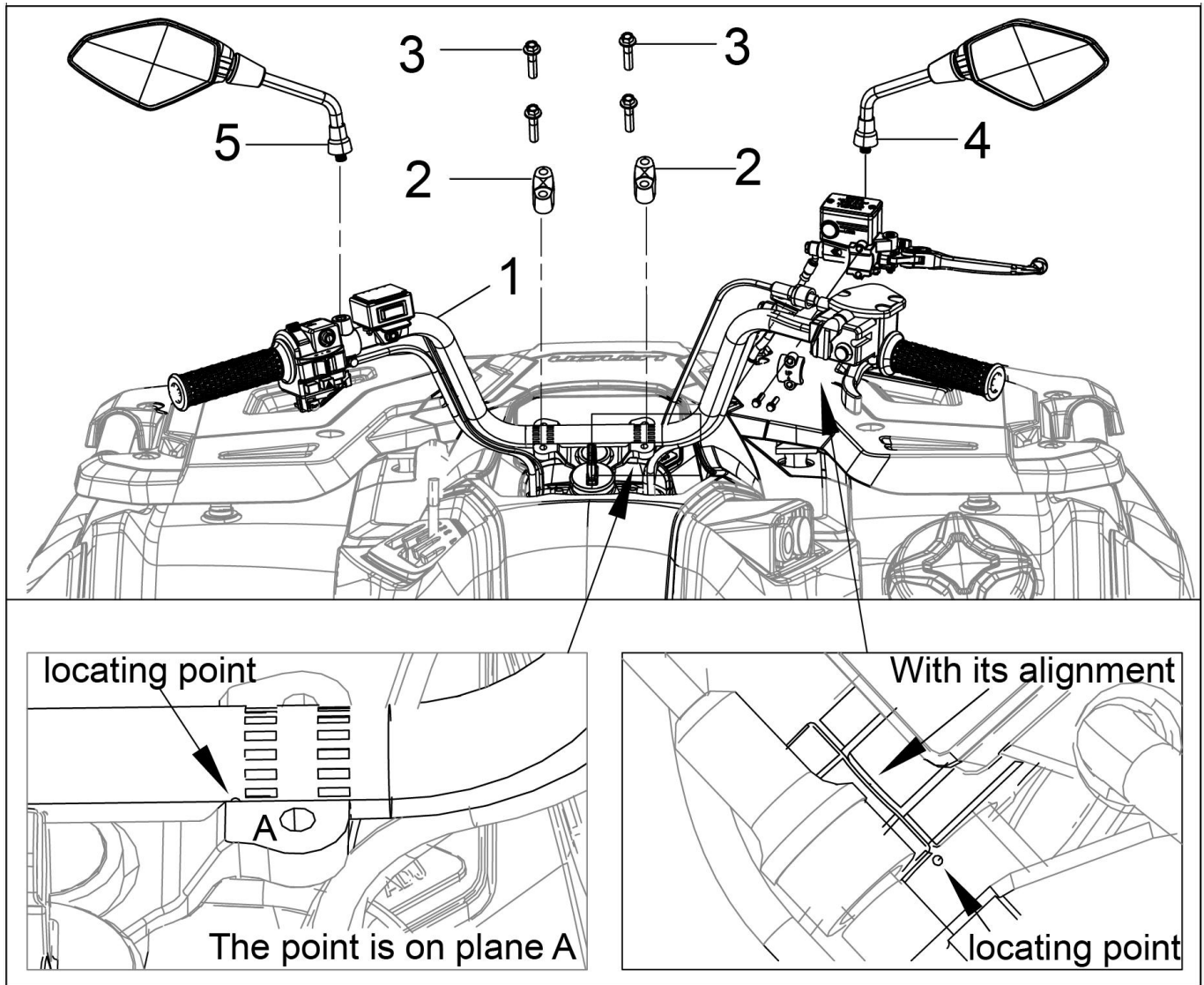
No.	Part#	Part Name	Specification	Quantity	Requirements
1	380140711-0002	BOLT,HEXAGON FLANGE	M10×1.25_L=50	6	55-65 N.m
2	380400042-0002	NUT	M10×1.25	6	
3	310790633-0001	ABSORBER ASSY.,LEFT REAR SHOCK		2	

2. TIRE REASSEMBLY



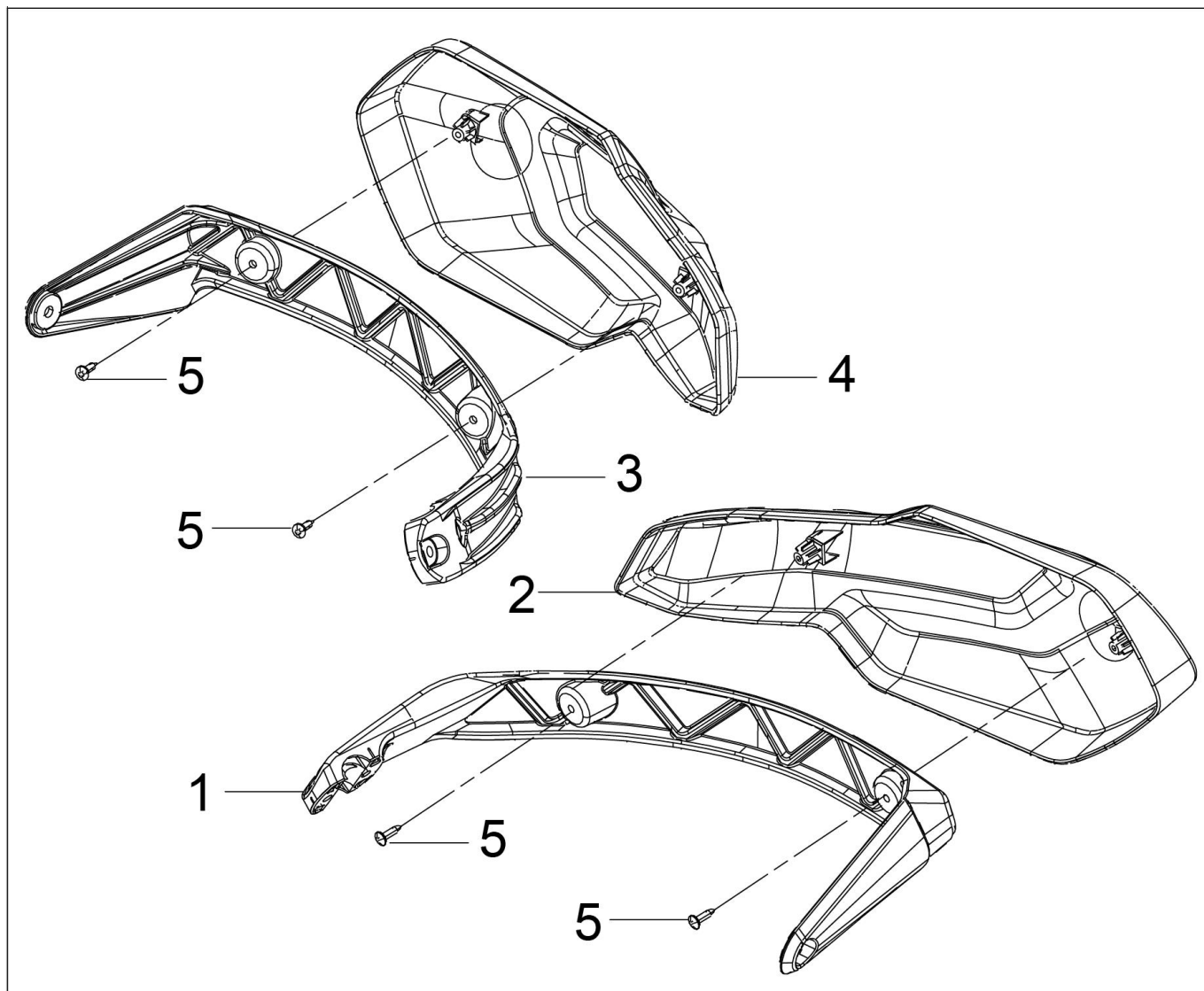
No.	Part#	Part Name	Specification	Quantity	Requirements
1	290110082-0001	HUB,FRONT WHEEL		2	
	290150954-0001	TYRE ASSY.		2	
2	381590001-0001	TAPER NUT	M10×1.25	8	52-58 N.m
3	297780003-0001	NULL		2	

3. DIRECTIONAL COLUMN, REARVIEW MIRROR REASSEMBLY



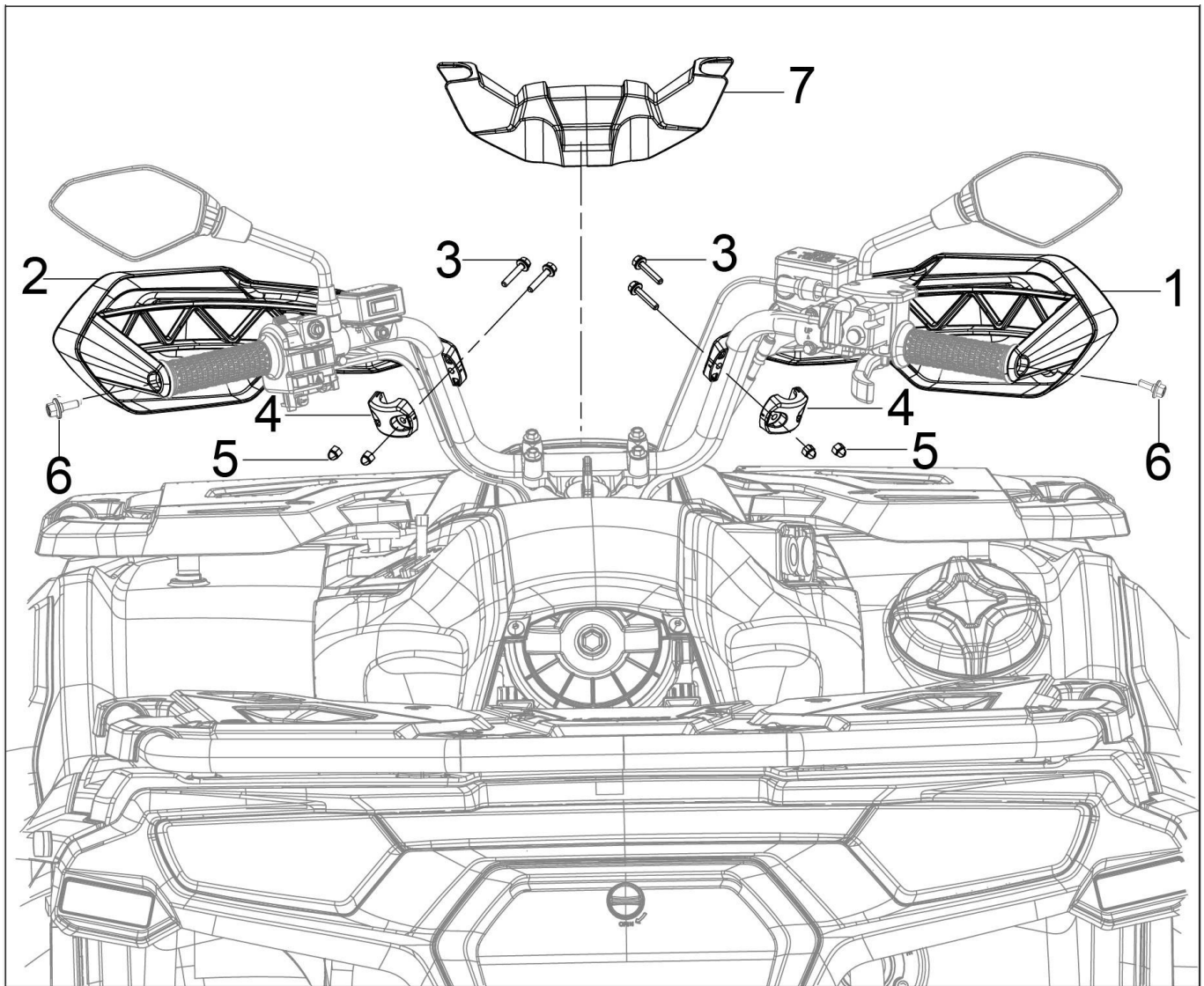
No.	Part#	Part Name	Specification	Quantity	Requirements
1	320010344-0001	PIPE COMP.,STEERING HANDLE	L=806_Φ22×3	1	
	271390586-0001	SWITCH ASSY.,LEFT		1	
	271590577-0001	SWITCH ASSY.,RIGHT		1	
	320180302-0001	GRIP SET,HANDLE		2	
2	310200057-0001	HOLDER,STEERING HANDLE PIPE		2	
3	380140051-0010	BOLT,HEXAGON FLANGE	M8_L=35	4	22-28 N.m
4	360530373-0007	MIRROR,RIGHT REAR VIEW		1	
5	360500371-0005	MIRROR,LEFT REAR VIEW		1	

4. SHIELD REASSEMBLY (1)



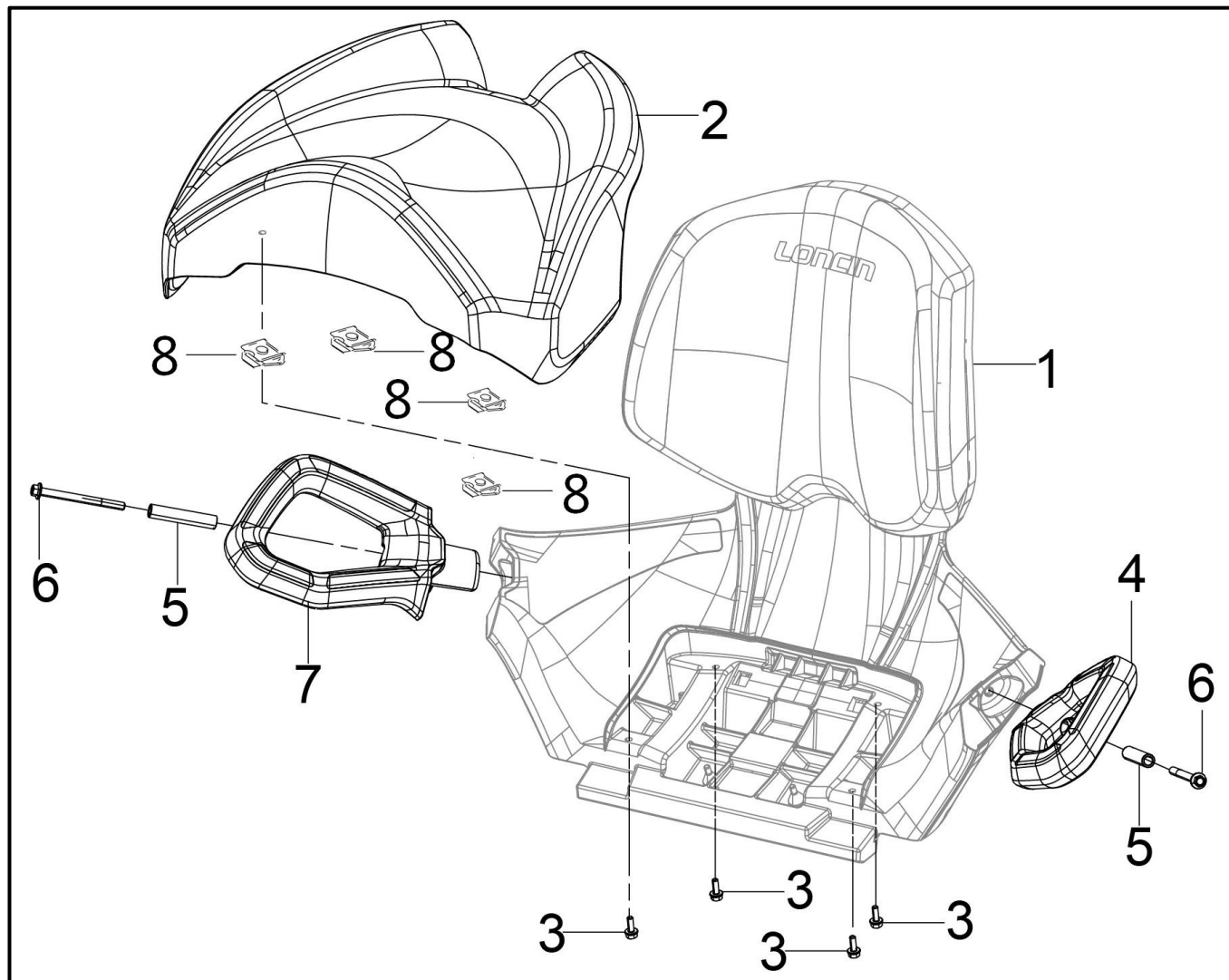
No.	Part#	Part Name	Specification	Quantity	Requirements
1	341710023-0001	BRACKET,HANDLE SHIELD		1	
2	341720058-0001	SHIELD,RIGHT HANDLE		1	
3	341710022-0001	BRACKET,HANDLE SHIELD		1	
4	341700107-0001	SHIELD,LEFT HANDLE		1	
5	380310006-0012	CROSS RECESSED PAN SELF-TAPPING	ST 4.2_L=16	4	2.0~3.0 N.m

5. SHIELD REASSEMBLY (2)



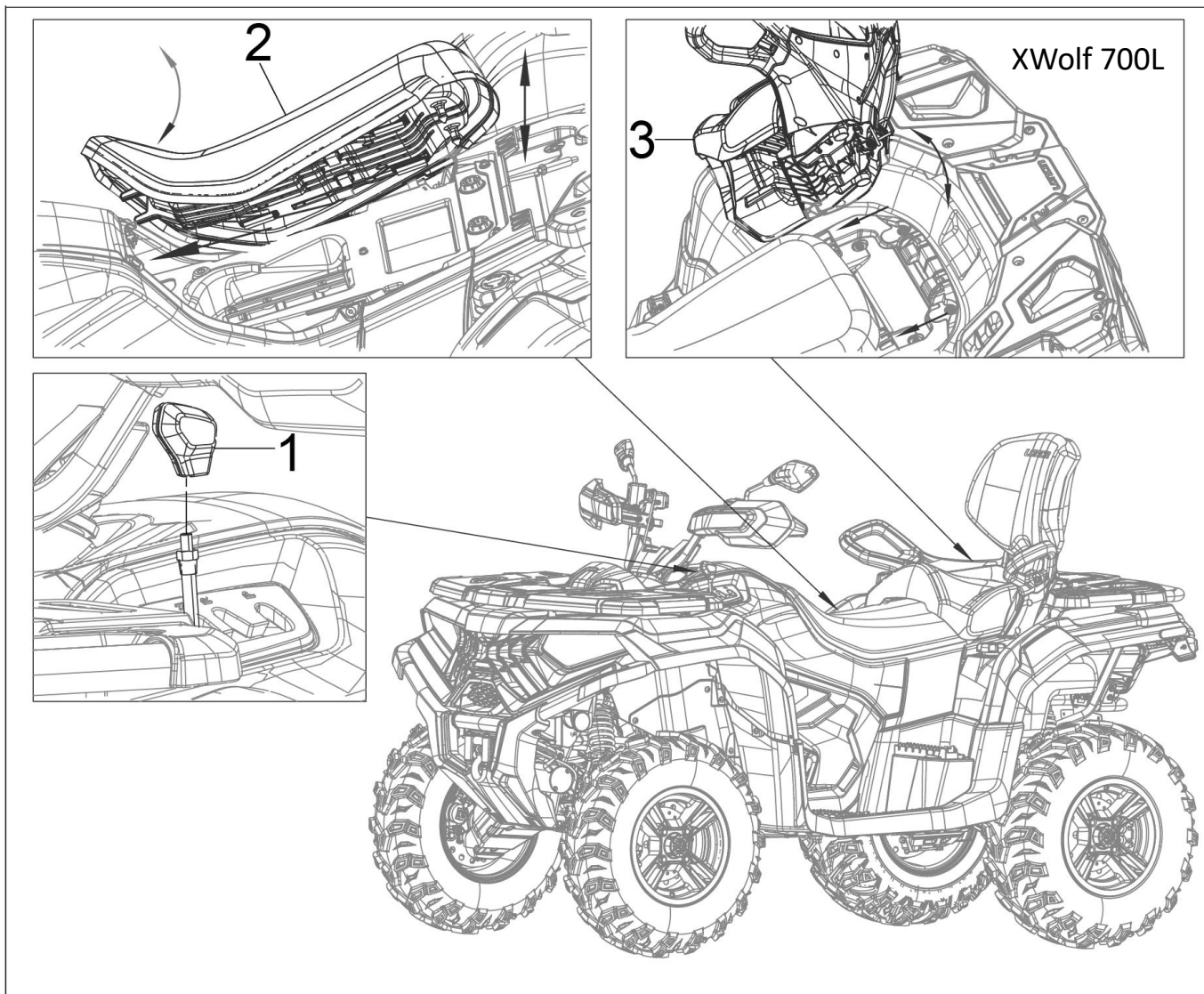
No.	Part#	Part Name	Specification	Quantity	Requirements
1	341710023-0001	BRACKET,HANDLE SHIELD		1	
	341720058-0001	SHIELD,RIGHT HANDLE		1	
2	341710022-0001	BRACKET,HANDLE SHIELD		1	
	341700107-0001	SHIELD,LEFT HANDLE		1	
3	380140103-0013	BOLT,HEXAGON FLANGE	M6_L=25;	4	7~11 N.m
4	341740009-0001	CLIP,HANDLE SHIELD		2	
5	380330010-0008	ACORN NUT	M6	4	7~11 N.m
6	380100002-0005	BOLT,HEXAGON FLANGE WITH SHOULDER	M6_L=17	2	7~11 N.m
7	342570018-0001	STEERING HANDLE PIPE DECORATIVE		1	

6. SEAT REASSEMBLY 1 (XWOLF 700L)



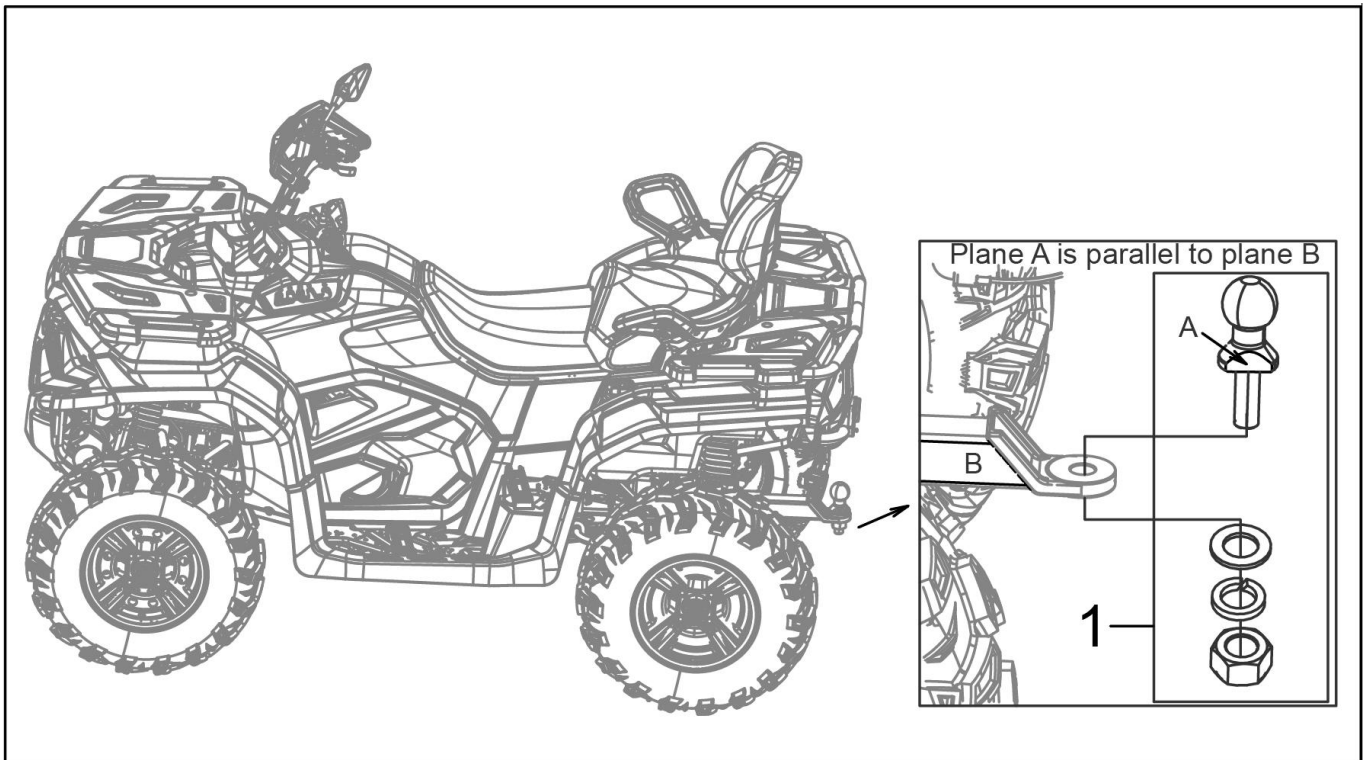
No.	Part#	Part Name	Specification	Quantity	Requirements
1	330330336-0001	BACKREST		1	
	339890001-0001	UPHOLSTERY FOR SEAT BASE		1	
	339880001-0001	SEAT BASE		1	
	330120379-0001	RUBBER SHEET,SEAT BRACE		4	
2	330011280-0001	SEAT COMP.		1	
3	380140013-0012	BOLT,HEXAGON FLANGE	M6_L=16	4	7~11 N.m
4	330480173-0001	ARMREST ASSY.,REAR		1	
5	380824296-0001	COLLAR		2	
6	380140190-0004	BOLT,HEXAGON FLANGE	M8_L=90	2	22~30N.m
7	330480174-0001	ARMREST ASSY.,REAR		1	
8	380420062-0001	NUT,CLIP	M6	4	

7. SEAT REASSEMBLY 2



No.	Part#	Part Name	Specification	Quantity	Requirements
1	196280009-0001	GEARSHIFT LEVER		1	
2	330011279-0001	SEAT COMP.		1	
3	336600004-0001	SEAT ASSY.		1	

8. TRAILER BALL REASSEMBLY



No.	Part#	Part Name	Specification	Quantity	Requirements
1	260610005-0003	BALL,TRAILER		1	260N.m