
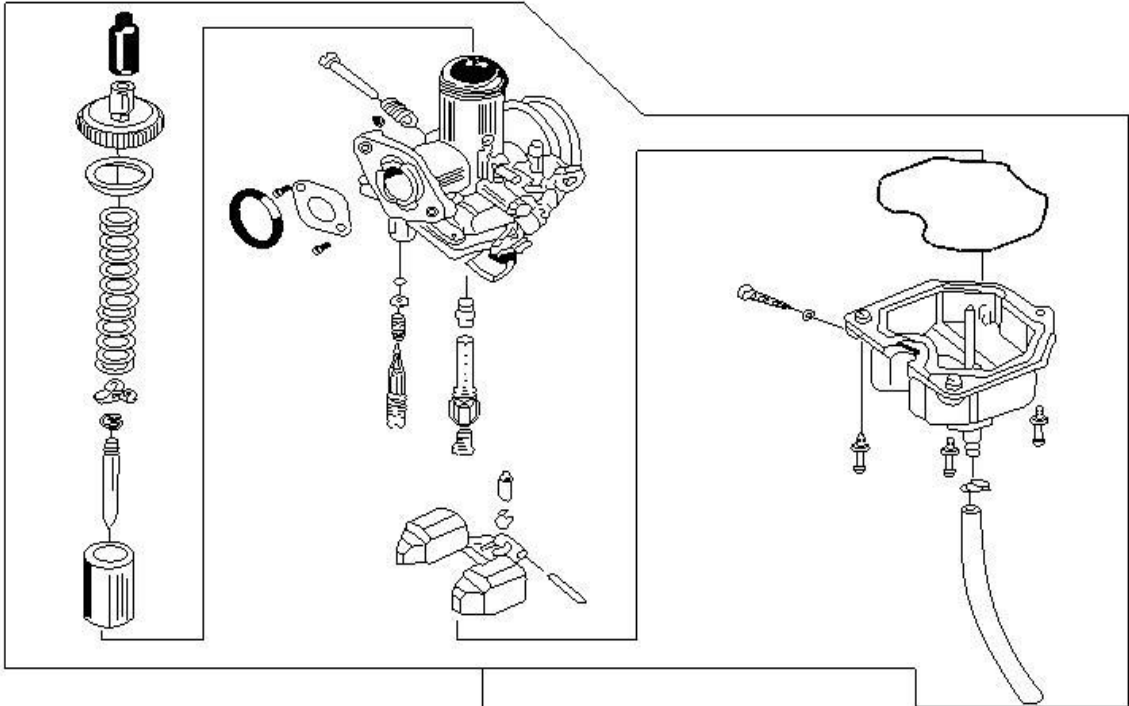
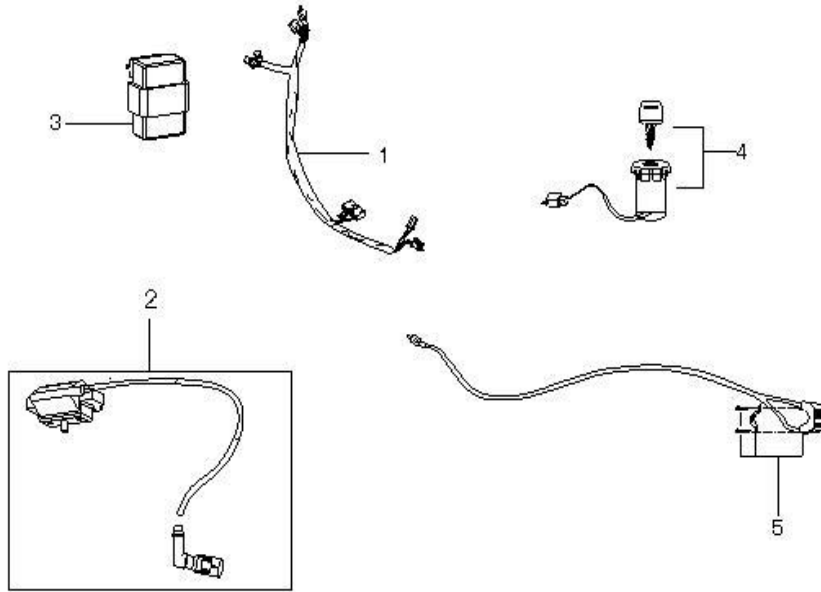


No.	Part No.	Type	Description	Unit
AGB-37TTR-2 Spare parts list				
<p style="color: red; font-weight: bold; font-size: 24px;">INFORMATION:</p>				
 <p style="text-align: center; font-weight: bold; font-size: 18px;">化油器 CARBURETOR</p>				
化油器 CARBURETOR				
序号	件号	规格型号	英文名称	单位

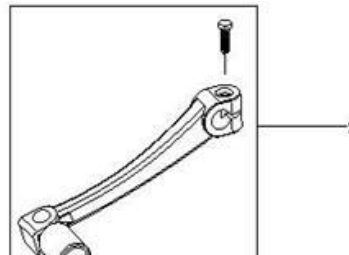
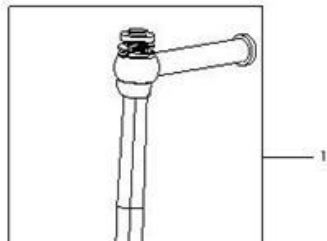
No.	Part No.	Type	Description	Unit
1	301014014001	PZ26	Carburator	P
1	301014019001	PZ26-5k4_EPA(打码JINGKE)	Carburator(EPA)	P

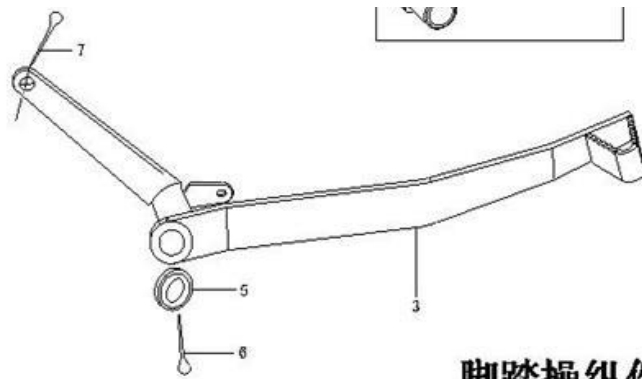
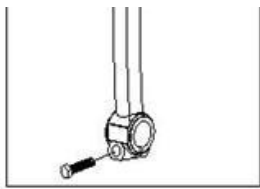


电器件(脚起动) ELECTRIC(KICK-START)

电器件(脚起动) ELECTRIC (KICK-START)

序号	件号	规格型号	英文名称	单位
No.	Part No.	Type	Description	Unit
1	315007004001	21-脚-带电门锁_地线450	HARNESS(KICK-START)	P
2	315003004002	易力屏蔽高压包_12V-2.8插片2孔插件_带9017屏蔽帽_带	COIL ASSY, IGNITION	P
3	315001034001	CG进角点火器_(无商标)EPA-打码:Y-36-08210000和CG	CDI ASSY.	P
4	316008007001	四线二档(通用)	IGNITION KEY ASSY	S
5	316004005001	全包型熄火开关-线长850mm	STOP SWITCH ASSY(KICK-START)	P

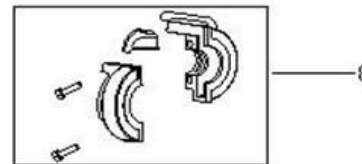
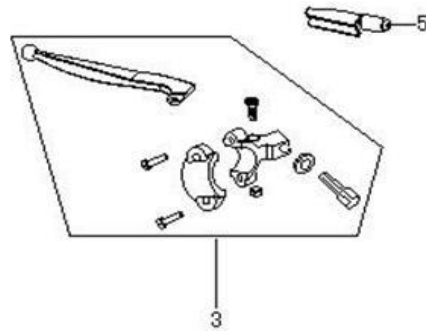
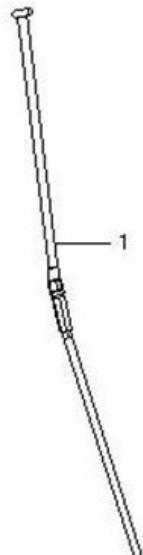


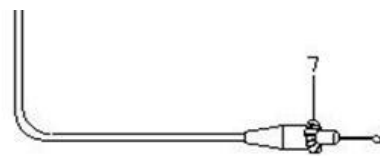
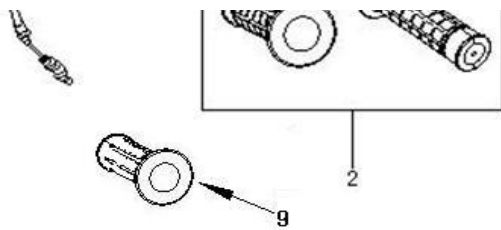


脚踏操纵件 PEDAL CONTROLLER

脚踏操纵件 PEDAL CONTROLLER

序号	件号	规格型号	英文名称	单位
No.	Part No.	Type	Description	Unit
1	301004008001	49#_φ13mm轴孔	KICK STARTER	P
2	301001009001	银翔74#	SHIFT PEDAL STEEL	P
3	310031013001	37TTR-2_铁_钣金	REAR.BRAKE PEDAL	P
5	405006014001	φ 15Xφ 27X1.5	WASHER	P
6	407005006002	φ 2.5X40mm	PIN φ 2.5×40	P
7	407005003001	φ 1.5X20mm	PIN φ 1.5×20	P

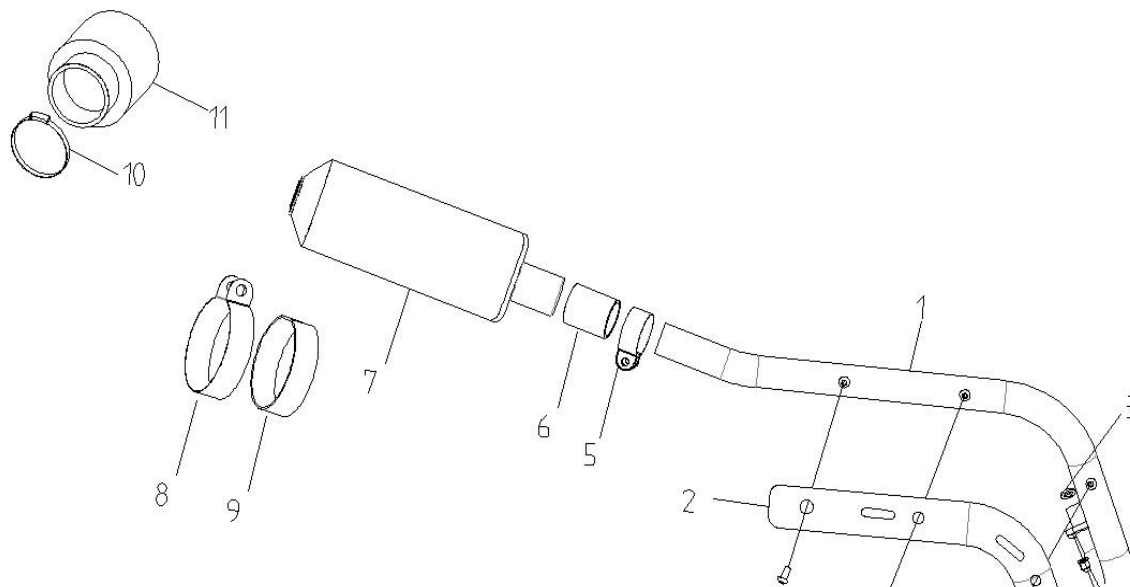




手把操纵件 HANDLE CONTROLLER

手把操纵件 HANDLE CONTROLLER

序号	件号	规格型号	英文名称	单位
No.	Part No.	Type	Description	Unit
1	310015029001	长900mm_露71mm_双截型	CABLE ASSY, CLUTCH	P
2&9	310003014006	AM款_弹性体TPE	GRIP ASSY.	S
	310006001001	APL-1	INNER CORE OF THROTTLE GRIP	P
3	310009006003	37CRF-广东款-可折叠	CLUTCH LEVER ASSY.	P
4	310011011003	37CRF-广东款-可折叠_铝	BRAKE LEVER	P
5	310018002001	APL-1	DUST COVER,CLUTCH CABLE	P
6	310013012001	长670mm_露110mm_配铁螺母	THROTTLE CABLE	P
8	310007001001	APL-1_铝	HOLDER ASSY,THROTTLE	S
	310017101001			
	403013018002			
9	310006001001	APL-1	INNER CORE OF THROTTLE GRIP	P



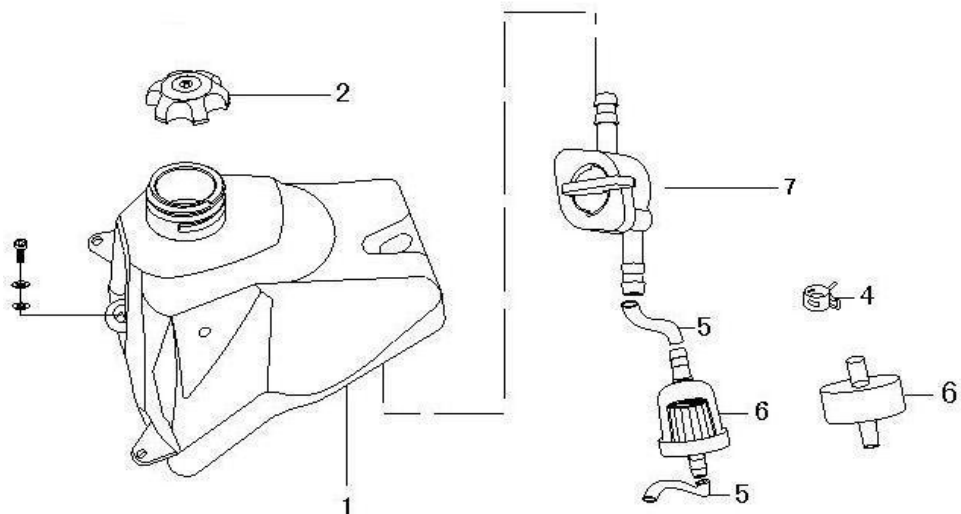
空滤器/消声器

AIR FILTER/MUFFLER



空滤器/消声器 AIR FILTER/MUFFLER

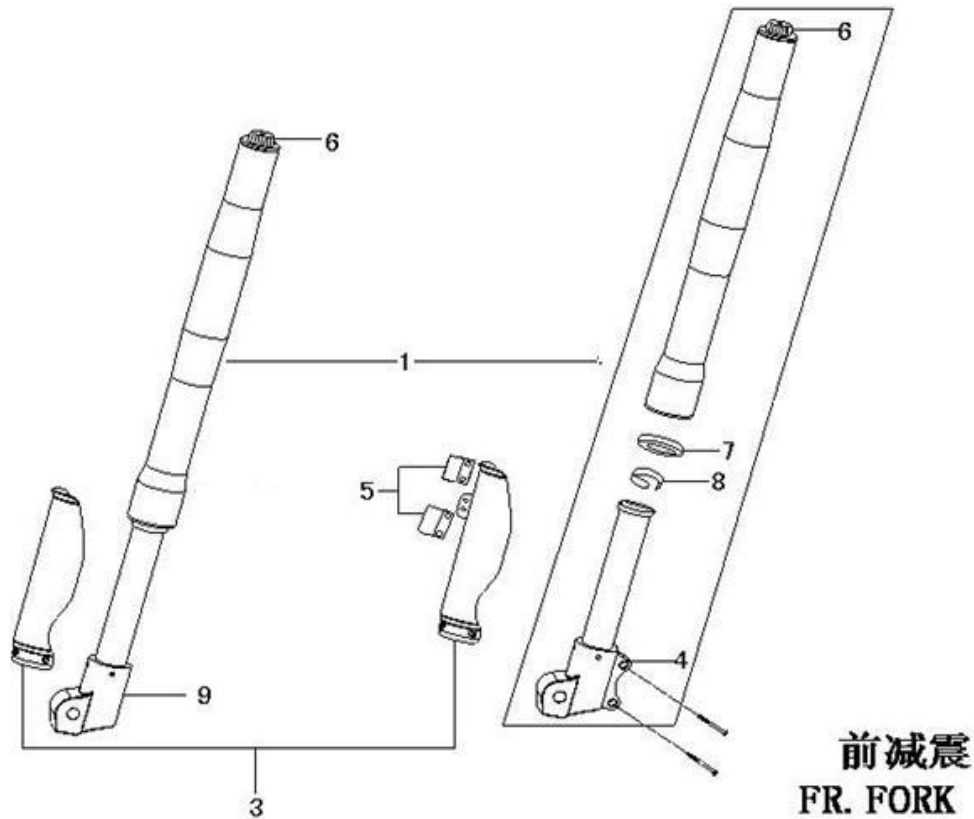
序号	件号	规格型号	英文名称	单位
No.	Part No.	Type	Description	Unit
1	302002011001	37CRF-2_排气管镀铬	Exhaust Assy.	P
2	302006011001	配RFZ 34-2 (37CRF防烫片加工缩短)	The Protector for Exhaust Pipe	P
3	302004001001	50.70.110.125.140CC(Φ24XΦ31.5X4)	Exhaust Pipe Seal	
4	404008004001	M6X22mm(GB/T 923)	Triple Clamp Top Nut	
5	302008004001	宽度20mm, 安装孔Φ8, 配38mm~40mm口径	HOOP	
6	302005002001	A37TTR-2/37TTR-2A/A37CRF-2_Φ35XΦ28X33	INNER SEAL	
7	302003067001	37CRF-2_KTM消声器_附件:胶垫3.5mm、抱箍(支柱长	MUFFLER	P
8	302008009001	34-2_KTM消声器_支柱长10mm	HOOP	P
9	302012001001	34-2_KTM消声器	HOOP RUBBER	P
10	301034003001	32-44_同舟	air cleaner hoop	P
11	301021017001	铁丝网-口径35mm-带补气嘴_EPA(打码Y-36-01030100)	Air Filter Assembly	P



油箱/油开关 FUEL TANK/FUEL COCK

油箱/油开关 FUEL TANK/FUEL COCK

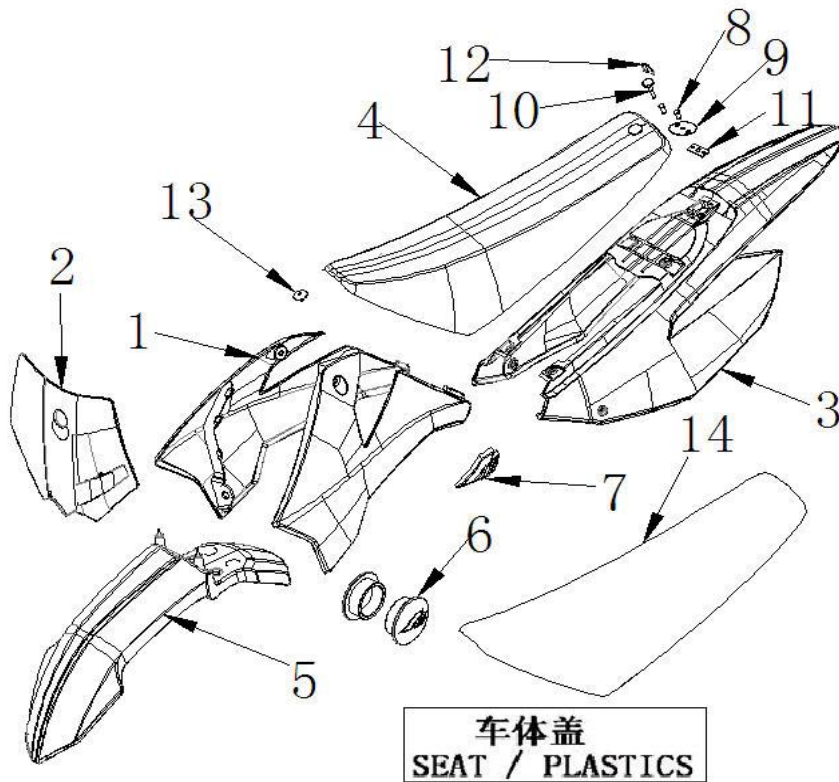
序号	件号	规格型号	英文名称	单位
No.	Part No.	Type	Description	Unit
1	312001065001	37-5_铁油箱_阿波罗公司打码Y-36-01050100_塑件固定	FUEL TANK	P
2	312002017001	37CRF_油箱盖EPA(打码Y-36-01050100)_不带锁芯孔(A	FUEL CAP	P
4	318001022001	Φ 8X8X0.8	HOSE CLAMP	P
5	312004003002	Φ 4.5X Φ 8.5(单位:米)	FUEL HOSE	Kg
6	312003005001	塑料_黄色纸芯式	FUEL FILTER	P
7	312005005001	29	pet cock	P



前减震 FR.DAMPER

No.	Part No.	Type	Description	Unit
-----	----------	------	-------------	------

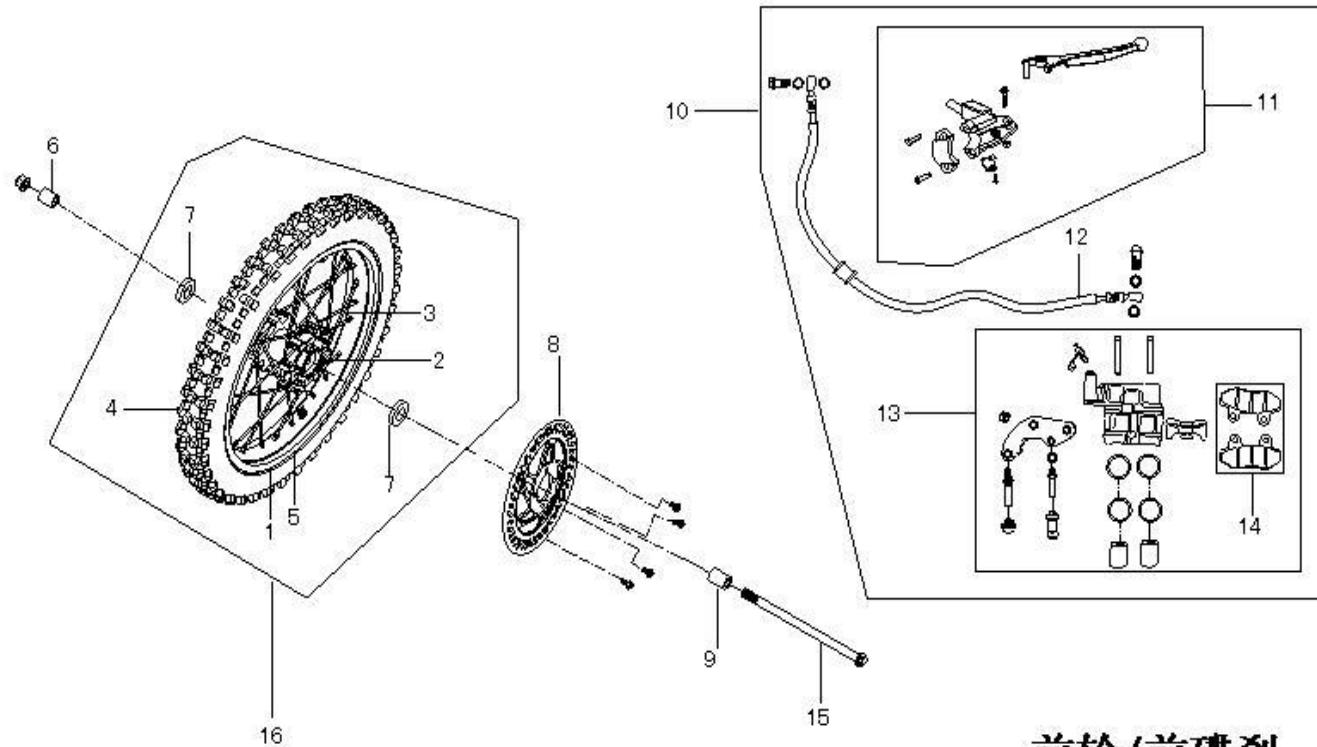
1	305001022005	37CRF_不可调_750mm_安装轴孔直径15.2	ASSY FR.FORK.L	S
3	304010002007	30EF-800前减_直径51mm	FORK PROTECTIVE COVER	S
4	305006003001	29#- II _φ14mm_M33*1.25mm_φ51mm	TIP OF R.FORK.L	P
5	318001011001	29-φ10X20mm_铝	FRONT BRAKE HOSE RETAINERS	P
7	305009001001	不可调减震_33X46X11	OIL SEAL	s
8	305008003001	33X46 配直径33mm叉管	RING, STEEL	S
9	305007002001	29#- II _φ14mm_M33*1.25mm_φ51mm	TIP OF FR.FORK.R	P



车体盖 SEAT / PLASTICS

序号	件号	规格型号	英文名称	单位
No.	Part No.	Type	Description	Unit
1	304001012007	37-5	L&R.F.SIDE COVER	S
2	304013010007	37-5_带前刹油管上卡座	FRONT NUMBER PLATE	P
	403013004001	M4X16_4.8级(GB/T818-2000)	bolt	
	404001001003	M4(GB/T 6170)	nut	
3	304009010006	37-5	REAR FENDER	P

5	304015010007	A37-5	FRONT FENDER	P
4&8&9&10&11&12	313001068004	37-5_带客户商标	SEAT	P
	319011003002	37-5_φ6X13.5	SEAT LOCK BOLT	P
	303043001003	37-5_铁	washer	P
	319011002002	37-5_M6	bolt	P
	410001002001	37-3专用_φ6Xφ16X1	spring washer	P
	303044001002	37-5_铁	buckle	P
	313001068001	RFZ_SC1款_ZD015-002_粗的缝制线_无商标	SEAT	
7				
8	319011003002	37-5_φ6X13.5	SEAT LOCK BOLT	P
9	303043001003	37-5_铁	washer	P
10	319011002002	37-5_M6	bolt	P
11	410001002001	37-3专用_φ6Xφ16X1	spring washer	P
12	303044001002	37-5_铁	buckle	P
13	319011004002	37-5_M6_图号AGB37-5-09010009	bolt	P



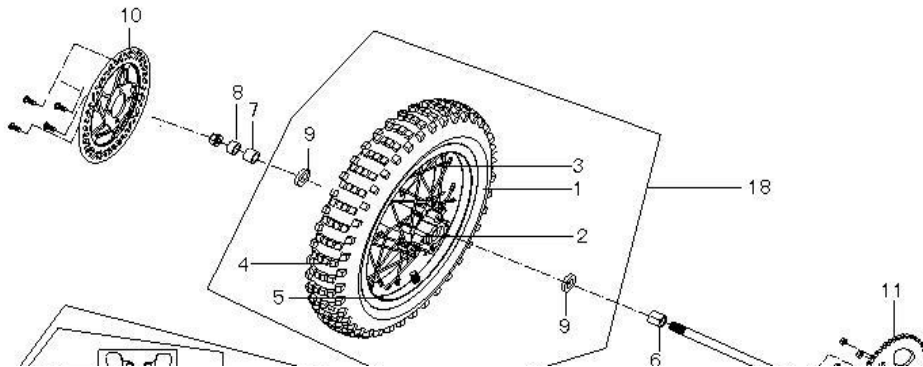
前轮/前碟刹
FT. WHEEL / BRAKE ASSY

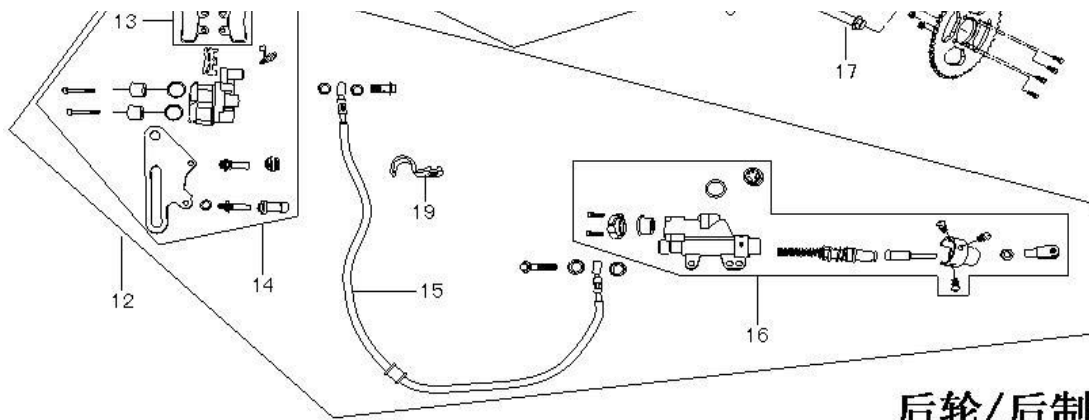
前轮/前碟刹 FR.WHEEL/FR. BRAKE ASSY.

No.	Part No.	Type	Description	Unit
1	307008008001	2.75-17(振威)	INNER TUBE 17"	P
2	307003018001	F-M14-1.6X17(广东款)_轮毂内衬套内孔为15.5	FR.HUB 1.6x17 STEEL	P
3	307013010001	17"_长187mm(广东款、铁、碟刹、含螺母)(内侧)	SPOKE, FR.WHEEL 17"	P
4	307005045001	深纹_70/100-17(内胎2.75-17)_GUANGLI商标_4PR_20	FR.TIRE KNOBBIER	S
5	307009005001	17"_1000X20X0.8	INNER TUBE PROTECTOR	P
6	319001192002	Φ 15.5X Φ 22X29mm	R.COLLAR, FR.WHEEL	P
7	409002033001	6202RS	bearing SEAL	S
8	308002015001	37CRF-Y Φ 76X Φ 200	FRONT-BRAKE DISK	P
9	319001183001	Φ 15.5X Φ 22X19.5mm	R.COLLAR, FR.WHEEL	P
10	308001064001	37RFZ-油管长1200mm_小双泵_黑把手_无石棉_1个胶垫	FR.DISK BRAKE ASSY.	P
11	308005008002	37CRF-带不可折叠把手(小油泵)	FRONT BRAKE UPPER OIL PUMP(INCLUDE HANDLE)	P
12	308006004002	37CRF_1200mm	FR,BRAKE HOSE	
13	308007009001	29.37系列	FR,CALIPER ASSY.	P
14	308009002002	小A型(21、37CRF前碟刹及29前后摩擦片)	FR,BRAKE PAD	S
15	401002075003	M14X1.5X215mm(轴Φ 15mm)_10.9级_带螺母(GB/T 16	FRONT-WHEEL AXLE	S
16	307003069001	17寸广东款前轮_F-M14_1.6X17_70/100-17	FRONT-WHEEL STEEL.NORMAL	P

X15 14' front rim

1	307008005001	2.50-14(振威)	INNER TUBE 14"	P
2	307003017001	F-M14-1.4X14(广东款)_轮毂内衬套内孔为15.5	FRONT RIM	P
3	307013004001	14"_长150mm(铁.碟刹.广东款.含螺母)(内侧)	SPOKE, FR.WHEEL 14"	P
4	307005009001	29轮胎_60/100-14(内胎60/100-14)_GUANGLI商标_4PR	FR.TIRE KNOBBIER	S
5	307009003001	14"_660X20X0.8	INNER TUBE PROTECTOR	P
16	307003073001	14寸广东款前轮_F-M14-1.4X14_60/100-14	FRONT-WHEEL STEEL.NORMAL	P





后轮/后制动器 RR. WHEEL/RR. BRAKE ASSY

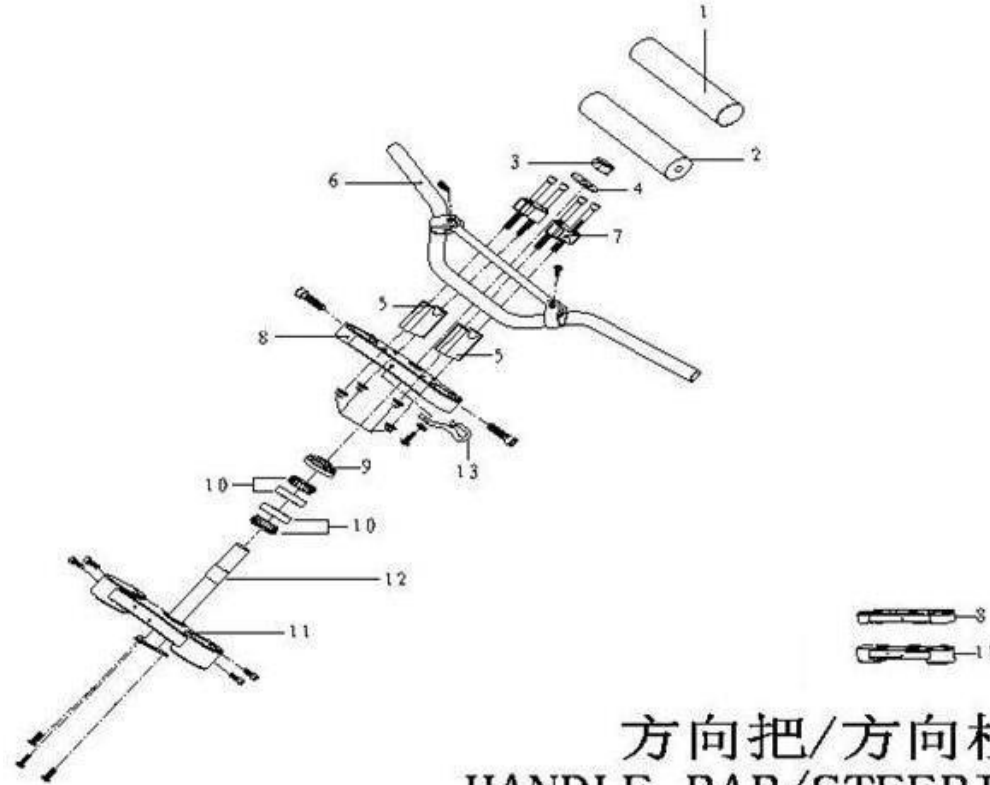
后轮/后制动器 RR.WHEEL/RR. BRAKE ASSY.

序号	件号	规格型号	英文名称	单位
No.	Part No.	Type	Description	Unit
1	307005053001	深纹_90/100-14(内胎90/100-14)_GUANGLI商标_4PR_	INNER TUBE 12"	P
2	307004020004	F-M14-1.85X14(广东款)	RR.HUB 1.85x12 STEEL	P
3	307013107001	14"_长153mm(铁.碟刹.广东款.含螺母)(内侧)	INNER SPOKE,RR.WHEEL 12"	P
4	307005053001	深纹_90/100-14(内胎90/100-14)_GUANGLI商标_4PR_	REAR TIRE KNOBBIER	S
5	307009003001	14"_660X20X0.8	INNER TUBE PROTECTOR	P
6	319001195002	Φ 15.5X Φ 22X36mm	SPACER	P
7	319001186002	Φ 15.5X Φ 22X22mm	SPACER	P
9	409002033001	6202RS	OIL SEAL	S
10	308004013001	37CRF-Y Φ 76X Φ 190	REAR-DISC	P
11	311003036001	定位直径76mm 428-41T_铁_(淬火处理)	REAR SPROCKET	P
12	308003021003	37CRF-2_大单泵_顶杆长70mm_管长540mm_接头朝内	REAR BRAKE ASSY	S
13	308009006002	37CRF 单泵后碟刹	RR.BRAKE PAD SET	S
14	308007111001	37CRF-大单泵	RR,CALIPER ASSY.	P
15	308006113001	37-2_540mm_带透明套管	RR.BRAKE HOSE	P
16	308008012002	37CRF-2	RR MASTER CYLINDER ASSY.	P
17	401002080002	M14X1.5X225mm_10.9级_带螺母(GB/T 16674.2)	REAR-WHEEL AXLE	S
18	307007001001	14寸广东款后轮_F-M14-1.85X14_90/100-14	SPACER	P
19	318001026002	APOLLO_材料ABS_16.5X125- Φ 6.6-55mm	VITTA CLIP WEDGE	P

X15 12' rear rim

1	307008012001	3.00-12(振威)	INNER TUBE 12"	P
---	--------------	-------------	----------------	---

2	307004017004	F-M14-1.85X12(广东款)	REAR RIM	P
3	307013103001	12"_长129mm(铁.碟刹.广东款.含螺母)(内侧)	INNER SPOKE,RR.WHEEL 12"	P
4	307005011001	29轮胎_80/100-12(内胎3.00-12)_GUANGLI商标_4PR_	REAR TIRE KNOBBIER	S
5	307009002001	12"_660X20X0.8	INNER TUBE PROTECTOR	P
18	307007003001	12寸广东款后轮_F-M14-1.85X12_80/100-12	SPACER	P

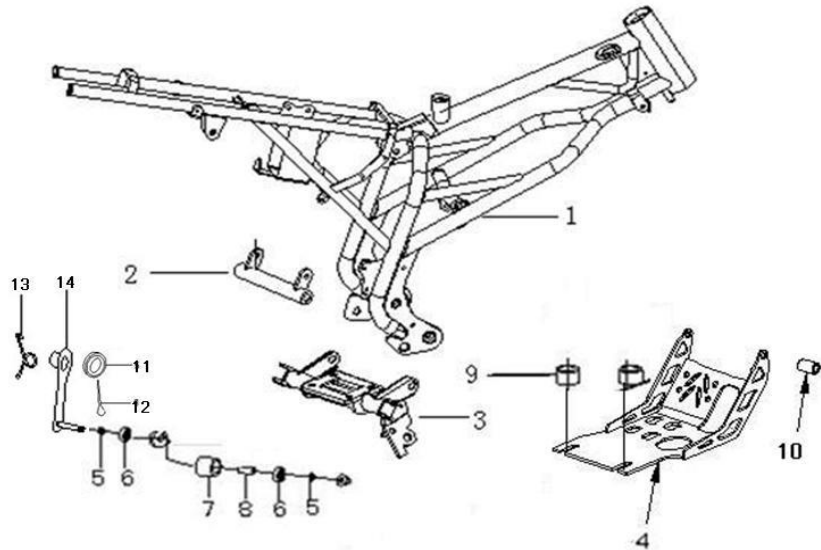


方向把/方向柱 HANDLE BAR/STEERING STEM

方向把/方向柱 HANDLE BAR/STEERING STEM

序号	件号	规格型号	英文名称	单位
No.	Part No.	Type	Description	Unit
1	320052083001	9471-APOLLO/247X185MM	CROSS BAR COVER	P
2	304035006001	37-5_圆形海绵套_内径14mm_外径50mm_长245mm	CROSS BAR FOAM	P
3	310025001001	M22(S30*M22*1)	NUT STEERING UPPER M22	P
4	405006025001	Φ 22X Φ 36X1	WASHER (STEEL)	P
5	310020005007	37-3_长宽高60X22X40mm_铝_孔距40mm_配Φ28方向把	HOULDER,HANDLE BAR	P
6	310001018001	37_中低缩管变径_带横杆_745mm_铁	HANDLE BAR STEEL	P
7	310019011006	37-3_长宽高60X22X20mm_铝_孔距40mm_配Φ28方向把	TRIPLECLAMP	P

8	310021019002	37CRF/37CRF-2/37TTR-2/37-3_铝压铸	UPPER TRIPLECLAMP	P
9	310024002001	M22_大锁母(M22X1X φ 53盖内孔)	STEERING STEM LOCK NUT	P
10	409003004001	GB/T 297_32005_碳钢材质(d=φ25,D=φ47,T=15,B=15,0	BEARING 32005	P
11	310022022002	37CRF/37CRF-2/37TTR-2/37-3_(样式同29)_铝压铸	TRIPLE CLAMP ASSY	P
12	310023012001	37-M22X1 长228(压紧式)_铁_轴承档位外圆磨加工	STEERING STEM ASSY	P

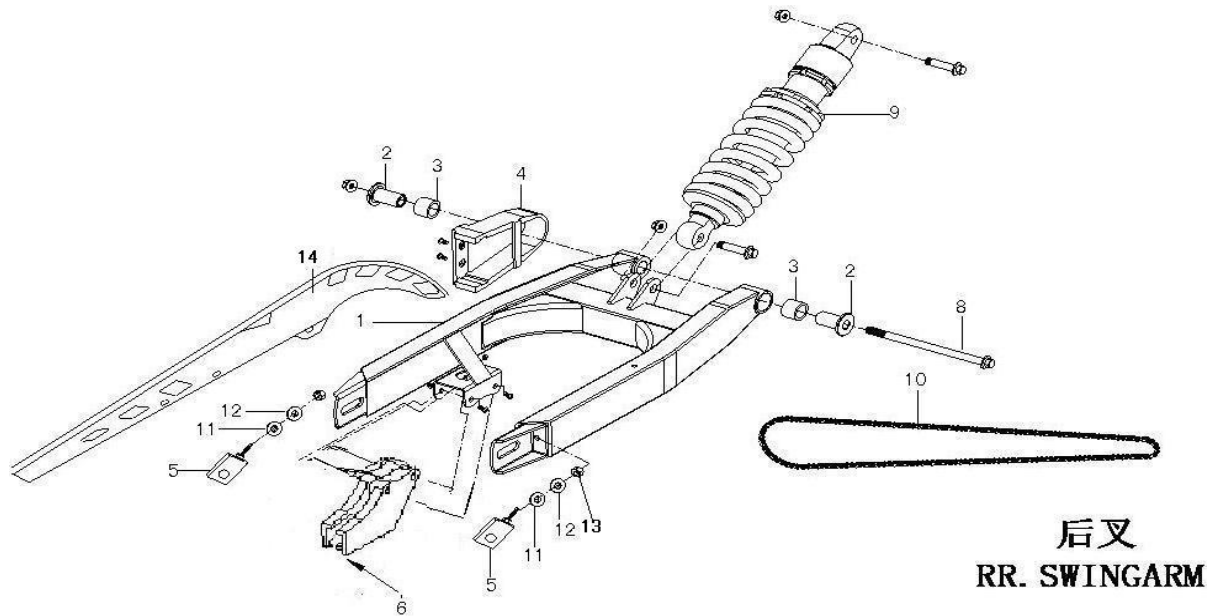


车架
FRAME

车架 FRAME

序号	件号	规格型号	英文名称	单位
No.	Part No.	Type	Description	Unit
1	303001181002	37RFZ-2_装铁油箱_铁_尾架加长15mm	FRAME Black	P
1	303001181003	37RFZ-2_装铁油箱_铁_尾架加长15mm	FRAME Red	P
2	303017001002	29_铁	Bracket , Rear Swing Arm	
3	303007011001	37CRF-2_铁	FOOT PEGS	P
4	303049003005	37-5_铁	ENGINE GUARD PLATE. STEEL	P
5	319001082001	φ 8.5X φ 11X4mm_铁	COLLAR	P

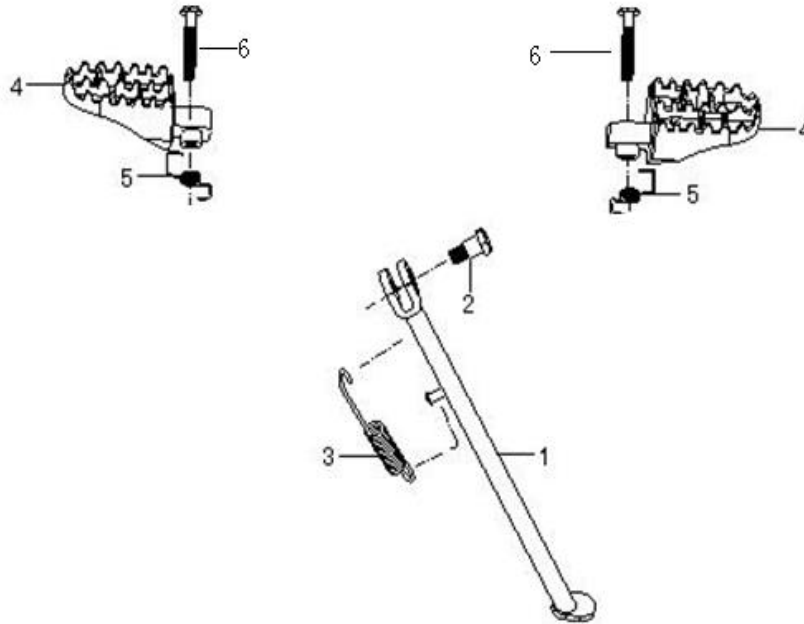
6	409002023001	GB/T 276_608ZZ(d=8,D=22,B=7)	CHAIN ROLLER BEARING	P
7	311005001001	通用	CHAIN ROLLER (BOTTOM)	P
8	319001115001	Φ9XΦ12X12mm_铁	SPACER	P
11	405006017001	Φ14XΦ25X1.5	washer	P
12	407005006002	Φ2.5X40mm(GB/T 91-2000)	cotter	P
13	303057001002	21G_铁M8X50mm	roller bracket	P
14	319007003002	37CRF-2(37TTR-2)	torsional spring	P
9	319001123001	Φ9XΦ20X30mm_铁	SPACER	P
10	319001088002	Φ8.5XΦ16X20mm_铁	SPACER	P



后叉 RR.SWINGARM

序号	件号	规格型号	英文名称	单位
No.	Part No.	Type	Description	Unit
1	306005058004	37-2-APOLLO_前外开档179mm_KTM油管卡扣_铁	REAR SWING ARM COMP	P
2	319002007001	Φ10.5XΦ29.5X16mm(台阶Φ20X10mm)_铁	STEP BUSH	P
3	409001006001	GB/T 290_HK2020(Fw=20,D=26,B=20)	NEEDLE BEARING HK1612	P

4	304034004001	37-5	REAR FORK DUST COVER	P
5&11 &12& 13及 六角 头螺 栓全 螺纹	306006013001	37-5-铝-方形- ϕ 15.5mm-36X31mm	CHAIN TENSIONER	S
	401003012002	M8X60X1.25_8.8级_全螺纹(GB/T 5789)	bolt	
	404001004002	M8(GB/T 6170)	nut	
	405006049002	ϕ 8X ϕ 16X2	washer	
	405003011004	ϕ 8(GB/T 93)	spring washer	
6	306007005006	37-5_铁后叉	CHAIN-GUIDE BRACKET.	S
8	401002034002	M10X245mmX1.25_10.9级_(带螺母)(GB/T 16674.2)	MIDDLE AXLE BOLT	S
9	306001038001	37CRF-不可调.320mm_725LBS/in	REAR SHOCK	P
10	311001081001	428-110节	CHAIN 428x110	P
11	405003011004	ϕ 8(GB/T 93)	SPRING WASHER	P
12	405006049002	ϕ 8X ϕ 16X2	WASHER	P
13	404001004002	M8(GB/T 6170)	nut	P
14	304032001001	半包型	CHAIN COVER	P



脚蹬/侧支架
FOOT PEG / SIDE STAND

序号	件号	规格型号	英文名称	单位
No.	Part No.	Type	Description	Unit
1	303012022001	37CRF(17/14)_310mm(开档6.5)	SIDE STAND	P
2	319011017002	M10X24.5mmX1.25(台阶 ϕ 12X12.5mm)_8.8级	SIDE STAND BOLT M10x25	P
3	319007026001	115mm	SPRING,SIDE STAND	P
4	303010003002	37-5_安装孔为 ϕ 8.2mm_安装头部开档尺寸为22mm(20	FOOT PEGS	S
5	319007012001	37-5_3圈_内径 ϕ 18mm_弹簧钢丝直径 ϕ 2.0mm	SPRING,FOOT PEGS	S
6	407006001002	ϕ 8X38mm-孔位33.5(GB/T 882-1986)	PIN,FOOT PEGS	S